

Pro Multisense Hub and Sensors

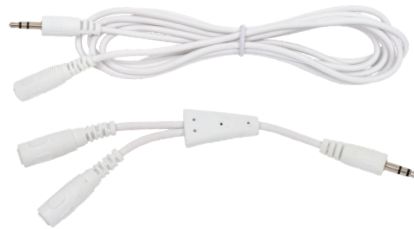
Flexible Leak Detection and Automatic Water Shut-Off

Introducing a new universal hub and accessories that replace all five of our previous Pro System sensors, including temperature. The WaterCop Multisense Hub offers multiple sensing options when combined with single or dual sensors; a pressure sensor; or our new rope sensor with up to six feet of leak detention. Easy to install and use, the Multisense Hub provides a versatile solution for every leak detection challenge.



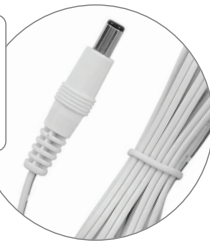
Pressure sensors detect high pressure that can damage piping and plumbing fixtures. Preset to trip at 95 psi and field adjustable between 50 and 120 psi.

Multisense Hub provides multiple installation options using combinations of standard leak detection probes, pressure sensors or rope sensors. A splitter and extension cable offer even more possibilities.



Easy-to-add rope sensors are perfect for monitoring larger areas or along walls. Achieve leak sensing along the entire 6-foot length.

AC Adapters are available and plug easily into the bottom of the Hub.

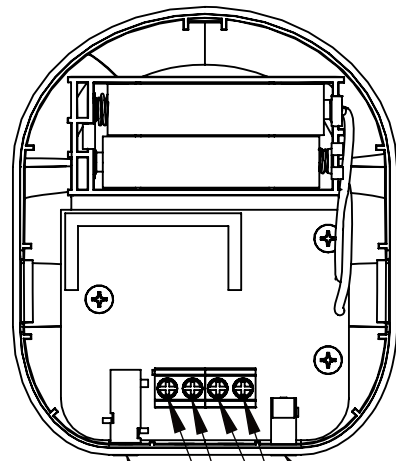


Standard leak detection probes can be used to make a single or dual probe sensor.



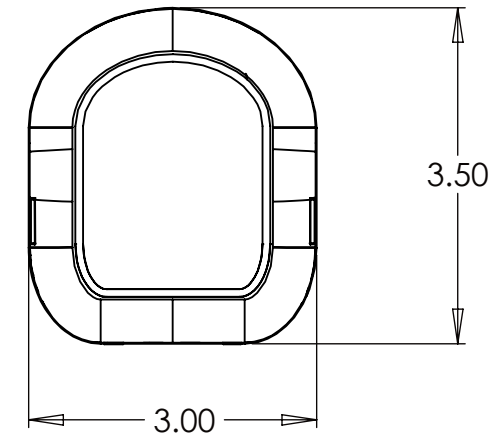
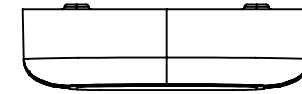
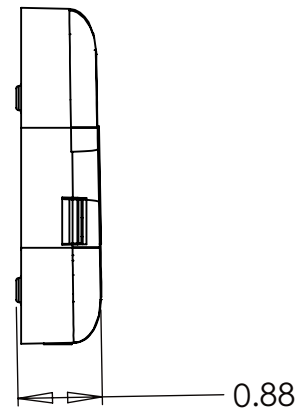
PART NO.	DESCRIPTION
WPM	WATERCOP MULTISENSE HUB
WPSC	LEAK PROBES TO MAKE SINGLE OR DUAL SENSORS
WPRS095	WATERCOP PRESSURE SENSOR
WROPE6	WATERCOP ROPE SENSOR
WSPLIT	AUX SPLITTER
WEXT6	6' EXTENSION CABLE
ACA100	WATERCOP MULTISENSE HUB AC ADAPTER

WIRING



ONBOARD TEMPERATURE
SENSOR - TRIP POINT 45°F

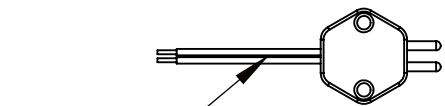
POWER SUPPLY
CONNECTION
WATER PROBE
CONNECTION
WATER PROBE
CONNECTION
AUX CONNECTION



ENCLOSURE: ABS
POWER REQUIREMENTS: 2 AAA ALKALINE BATTERIES
MOUNTING: SCREWS AND ANCHORS PROVIDED

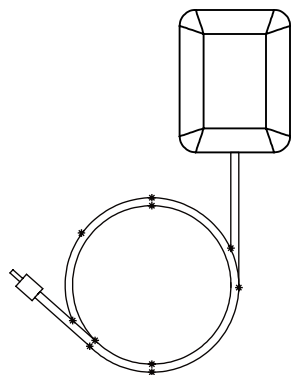
OPTIONAL ACCESSORIES

STANDARD PRO SENSOR
(WPSC)

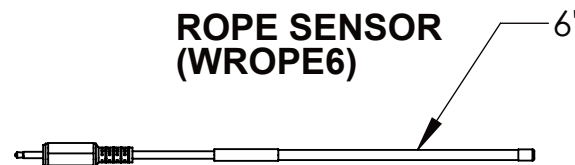


10'

AC ADAPTER
(ACA100)

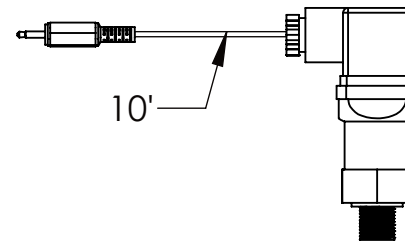


ROPE SENSOR
(WROPE6)



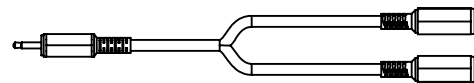
6'

PRESSURE SWITCH
(WPRS095)
FACTORY SET AT 95 PSI
FIELD ADJUSTABLE

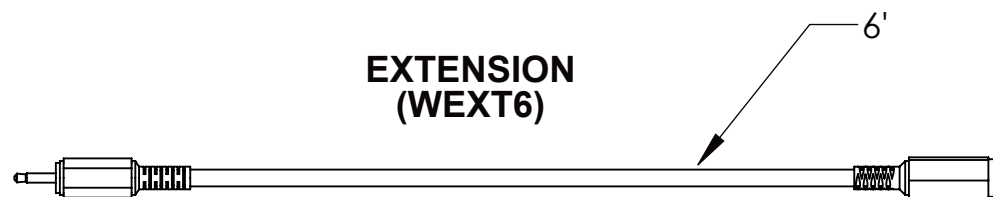


10'

SPLITTER
(WSPLIT)



EXTENSION
(WEXT6)



6'



WATER
SECURITY
SOLUTIONS

WSSUS.com
info@wssus.com
(888) 356-5644

UNCONTROLLED
DRAWING

THIS PRINT IS THE PROPERTY
OF DYNAQUIP CONTROLS AND
SHALL NOT BE COPIED,
REPRODUCED, LOANED,
OR DISPOSED OF DIRECTLY
OR INDIRECTLY, NOR USED
FOR ANY PURPOSE OTHER THAN
THAT FOR WHICH IT IS
SPECIFICALLY FURNISHED
EXCEPT BY WRITTEN
PERMISSION OF
DYNAQUIP CONTROLS.

NO.

WPM

FILE NO.
SUB472

TITLE

WATERCOP PRO
MULTISENSE HUB

DR
MJP

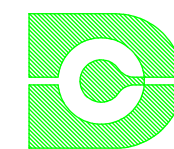
DATE
11-18-20

CH'KD

DATE

ENGR

DATE



DynaQuip
Controls