

CEDIA  
BEST NEW  
PRODUCT  
WINNER

ESX  
INNOVATION  
AWARDS  
WINNER

2020 CE PRO  
BRAND LEADERS

2020 CE PRO  
BULLET BRAND

CEPro  
Brand Leader  
Water Leak Detection  
2021

# Dual Valve Automatic Water Shut-Off System

## A more efficient way to control water shut-offs in homes with two incoming water lines.

Perfect for condominiums, apartments, villas, attached homes, and commercial breakroom pantries using multiple line water feeds. Shut-off valves open/close simultaneously when notified by sensors, alarm panel or compatible SmartConnect WiFi device and app.

### WaterCop® Classic Dual Valve System

An unlimited amount of wireless sensors communicate with shut-off valves installed indoors. Simple to install and use, this system provides an enhanced level of leak protection with a SmartConnect device and mobile app.



The proven leader in household leak protection:

is there when you're not.

# Provides leak protection for homes with two incoming water lines.

## WaterCop® Classic Dual Valve System



## Features

- NSF/ANSI 372\* approved lead-free brass, full flow, 600 psi rated industrial valve
- Sizes ½" – 1¼" standard (1½" to 2" large valve integration available)
- Onboard open/close buttons and indicator lights on indoor control unit
- Internal antenna on actuator and wireless sensors
- Single or dual wireless sensors available
- 10' white sensor cord with corrosion-resistant gold-plated prongs
- Unlimited sensors
- Wireless sensor signal can be enhanced for longer distances (Part No. WCDR)
- Local open/close water control
- Connection cable is not direct burial rated

\* Lead Free NSF/ANSI 372 refers to the wetted surface of pipe, fitting and fixtures in potable water systems that have a weighted average lead content ≤ 0.25%. Source: California Health & Safety Code (116875); Vermont Act 193.

## Ordering Information

**Step One:** Select shut-off valve #1 by size

**Step Two:** Select shut-off valve #2 by size

SIZE (FNPT)	PART NO. (LEAD FREE NSF/ANSI 372*)
½"	WCVLF ½
¾"	WCVLF ¾
1"	WCVLF 1
1¼"	WCVLF 1¼

**Step Three:** Add WaterCop® Classic Dual Kit

(WDACTDUAL - 5' plenum cable between valves) or  
WDACTDUALHW for 1 Hard-wired Sensor or  
WDACTDUALHW2 for 2 Hard-wired Sensors

**Step Four:** Add WaterCop® Classic components

PART NO.	DESCRIPTION
WCDFS1	SINGLE WIRELESS SENSOR
WCDFS2	DUAL WIRELESS SENSOR
WCDR	SENSOR RANGE ENHANCING REPEATER
WPA	SENSOR AC POWER ADAPTOR
RS100	WATER CONTROL WALL SWITCH
CBL50	VALVE/SWITCH INTERCONNECT CABLE (50')
CBL100	VALVE/SWITCH INTERCONNECT CABLE (100')
WCSCLV	SMARTCONNECT WIFI MOBILE APP INTERFACE



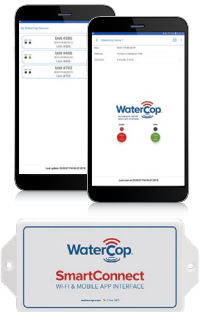
**Water Security Solutions  
Authorized Distributor**

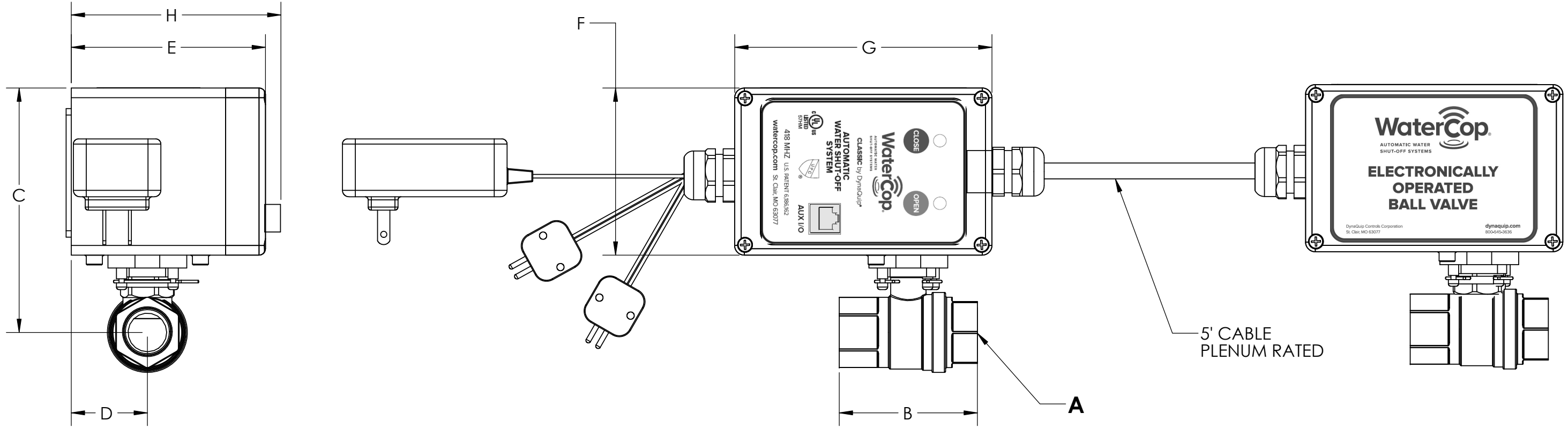
**2338 Immokalee Rd. #336  
Naples, FL 34110  
(888) 356-5644  
www.WSSUS.com**

## SmartConnect

Receive mobile alerts and control your WaterCop system using the WaterCop app on a phone or tablet. SmartConnect is compatible with Classic, Pro and LeakStop+ systems.

- 24/7 remote mobile control and access to your WaterCop system
- WiFi compatible
- Mobile alerts about power outages





**ALL VALVES ARE CERTIFIED TO NSF/ANSI 372 FOR USE WITH POTABLE WATER**

Model	Number of Hardwired Sensors	Valve Size	A	B	C	D	E	F	G	H	Flow GPM
WCDACTDUALHW	1	-	-	-	-	0.74	3.78	4.10	5.00	4.05	-
WCDACTDUALHW2	2										
WCDACTDUALHW	1	1/2	1/2 - 14 NPT	2.60	4.78	0.74	3.78	4.10	5.00	4.05	-
WCDACTDUALHW2	2										
WCDACTDUALHW	1	3/4	3/4 - 14 NPT	2.90	5.02	0.74	3.78	4.10	5.00	4.05	-
WCDACTDUALHW2	2										
WCDACTDUALHW	1	1	1 - 11-1/2 NPT	3.56	5.19	0.74	3.78	4.10	5.00	4.05	-
WCDACTDUALHW2	2										
WCDACTDUALHW	1	1 1/4	1-1/4 - 11-1/2 NPT	3.66	5.18	0.74	3.78	4.10	5.00	4.05	-
WCDACTDUALHW2	2										

Enclosure: Polycarbonate  
 Power: Power Converter With 20' Cord  
 Controls: Local Controls  
 Valve: Full Port Brass Ball Valve  
 Frequency: 418 MHz

**UNCONTROLLED DRAWING**

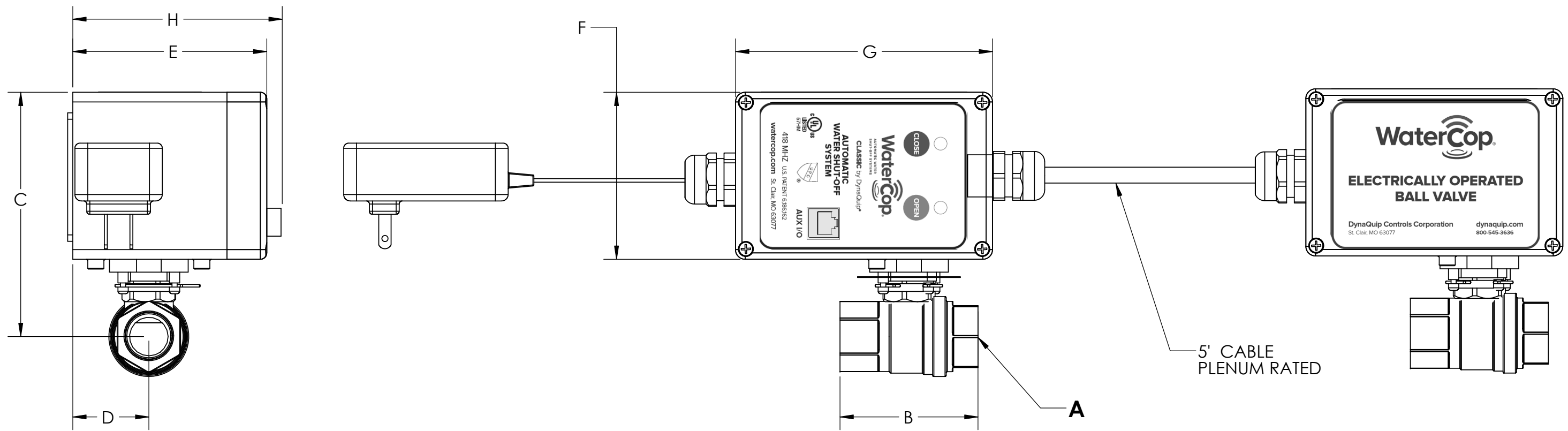
THIS PRINT IS THE PROPERTY OF DYNAQUIP CONTROLS AND SHALL NOT BE COPIED, REPRODUCED, LOANED, OR DISPOSED OF DIRECTLY OR INDIRECTLY, NOR USED FOR ANY PURPOSE OTHER THAN THAT FOR WHICH IT IS SPECIFICALLY FURNISHED EXCEPT BY WRITTEN PERMISSION OF DYNAQUIP CONTROLS.

NO. **WCDACTDUALHW** FILE NO. SUB407

TITLE  
**Actuator shown with valve attached**

DR	DATE	CHKD	DATE	ENGR	DATE
MJP	07-17-19	CMM	12-19-17	CMM	12-19-17





**ALL VALVES ARE CERTIFIED TO NSF/ANSI 372 FOR USE WITH POTABLE WATER**

Model	Valve Size	A	B	C	D	E	F	G	H	Flow GPM
WCDACTDUAL	-	-	-	-	.74	3.78	4.10	5.00	4.05	-
WCDACTDUAL	1/2	1/2 - 14 NPT	2.60	4.78	.74	3.78	4.10	5.00	4.05	19
WCDACTDUAL	3/4	3/4 - 14 NPT	2.90	5.02	.74	3.78	4.10	5.00	4.05	34
WCDACTDUAL	1	1 - 11-1/2 NPT	3.56	5.19	.74	3.78	4.10	5.00	4.05	52
WCDACTDUAL	1-1/4	1-1/4 - 11-1/2 NPT	3.66	5.18	.74	3.78	4.10	5.00	4.05	77

Enclosure: Polycarbonate  
 Power: Power Converter With 20' Cord  
 Controls: Local Controls  
 Valve: Full Port Brass Ball Valve  
 Frequency: 418 MHz

**UNCONTROLLED DRAWING**

THIS PRINT IS THE PROPERTY OF DYNAQUIP CONTROLS AND SHALL NOT BE COPIED, REPRODUCED, LOANED, OR DISPOSED OF DIRECTLY OR INDIRECTLY, NOR USED FOR ANY PURPOSE OTHER THAN THAT FOR WHICH IT IS SPECIFICALLY FURNISHED EXCEPT BY WRITTEN PERMISSION OF DYNAQUIP CONTROLS.

NO. **WCDACTDUAL** FILE NO. SUB391

TITLE  
**Actuator shown with valve attached**

DR MJP	DATE 07-17-19	CHKD MJP	DATE 03-07-17	ENGR MJP	DATE 032-07-17
-----------	------------------	-------------	------------------	-------------	-------------------

